

AM*H AGC amplifier

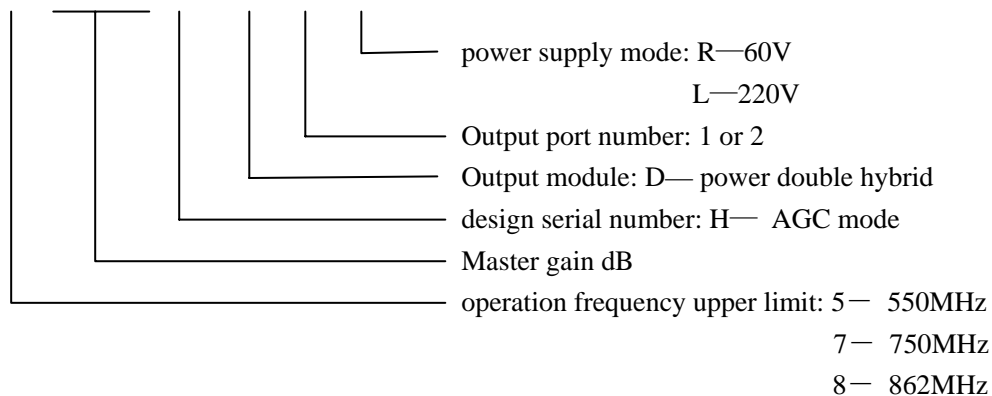
Feature

- Adopting PHILIPS BGY and BGD series hybrid integrated circuit module brings high output level and good CTB and CSO value.
- Aluminum-alloy cast housing, coat with strong waterproof shell, with large effective area of heat elimination
- Modular design and flexibility provide an upgrade path for future services while preserving your initial investment.

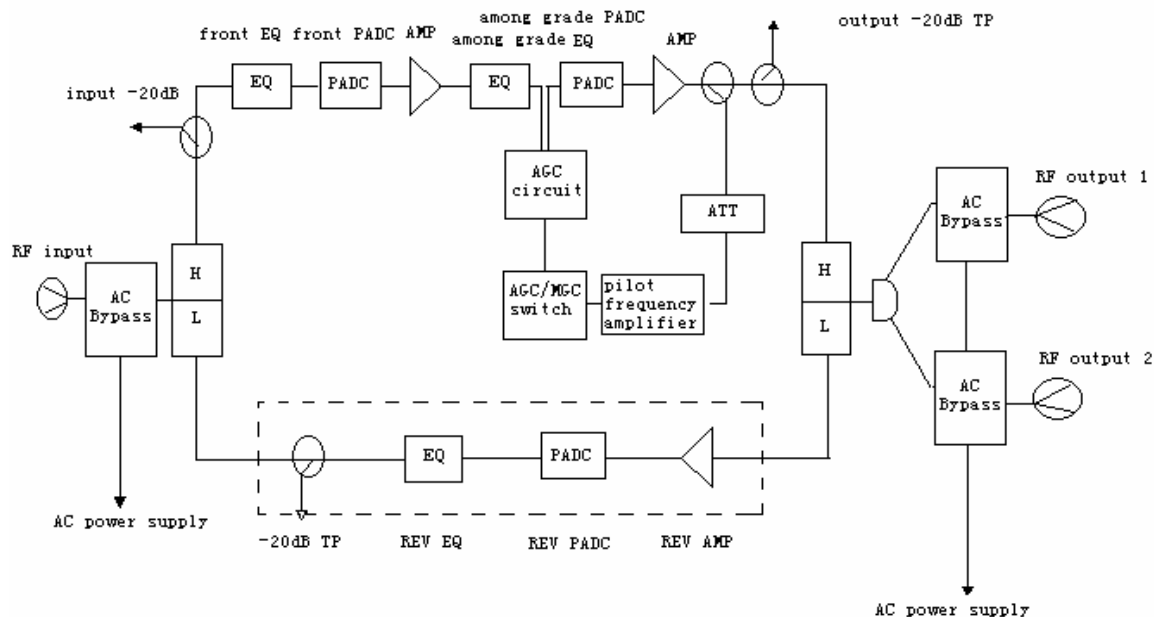


Model number system

AM H -D



AM*H amplifier functional block diagram



Specifications

Item	Note										Unit
Type		AM522 H	AM526 H	AM530 H	AM722 H	AM726 H	AM730 H	AM822 H	AM826 H	AM830 H	
Frequency range		45~550			45~750			45~862			MHz
In-band flatness		±0.5			±0.75			±0.75			dB
Standard input level		12									dBmV
Standard output level		27/34	31/38	35/42	27/34	31/38	35/42	27/34	31/38	35/42	dBmV
Pilot frequency		288.25~543.25 (optional)									MHz
AGC and slope compensation		Input ±3 / output ±0.5									dB
Noise ratio		≤9									dB
Maximal output level		≥60									dBmV
CSO	1	79	75	70	77	73	68	77	73	68	dB
CTB	1	85	79	72	83	77	70	83	77	70	dB
Port return loss		45~550MHz≥16/550~862MHz≥14									dB
AC modulation		≥66									dB
Lightning stroke resistance		5(10/700 μ S)									KV
Power supply range		sine wave 35~52 square wave 45~65/50Hz									V
Power consumption		22 (push and pull) 30 (power double hybrid)									W
Dimension		320×225×110									mm
Weight		3.6									kg

Notes 1: test in the condition of referring to output level and loading PAL 59 analogy channels.