

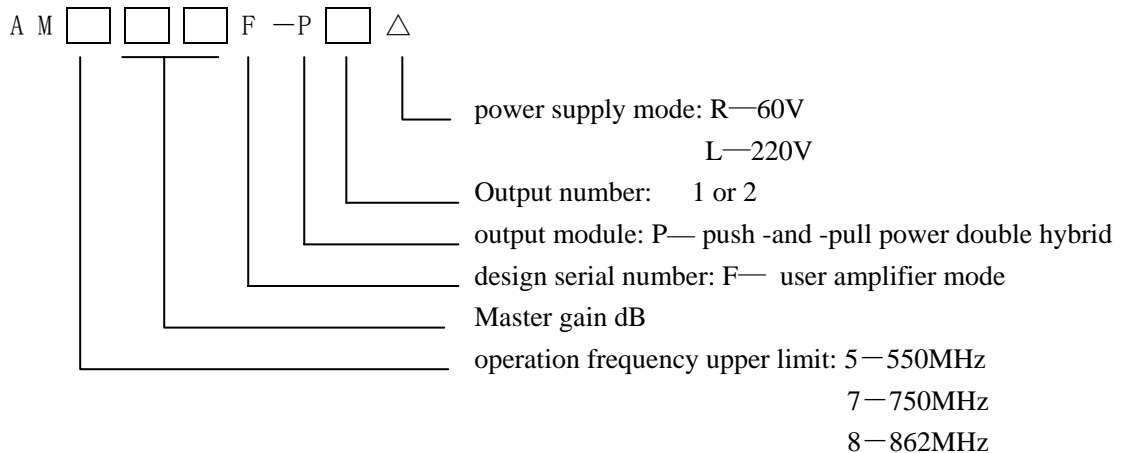
# AM\*F user amplifier

## Features

- Use series BGY push-and-pull power double hybrid integrated circuit module for amplification. High output level and good CTB and CSO value.
- New type of aluminum-alloy die-casting water-proof housing, with large effective area of heat elimination
- Uses single modules for amplification, interstage attenuation, adjustable pre-slope, various types, such as splitter or tap output for option. More information please refers to model number system.
- Uses newly- imported and specified plug-in units to improve reliability.



## Model number system



**Specifications**

Item	Note						Unit	
Model		AM525 F	AM532 F	AM725 F	AM731 F	AM825F	AM830 F	
Frequency range		47~550		47~750		47~862		MHz
In-band flatness		±0.5		±0.75		±0.75		dB
Adjustable equalizer range		0--18						dB
Main full gain	1	25	32	25	31	25	30	dB
Noise ratio	1	≤9						dB
Referential output level	2	44(59 analog channels)		44(59 analog channel + 200MHz data compression)				dBmV
Maximal output level		≥60						dBmV
CSO		59		59		59		dB
CTB		62		62		62		dB
Port return loss		≥15		≥15/550~750MHz≥13		≥15/550~862MHz≥13		dB
Lightning stroke resistance		5(10/700 μ S)						KV
AC modulation		≥66						dB
Power supply range		44~60/50Hz						V
Power consumption		16						W
Dimension		280×200×85						mm

- Notes:
1. Not including equalizer loss.
  2. Digital carrier wave level is 10dB lower than analogy carrier wave level.